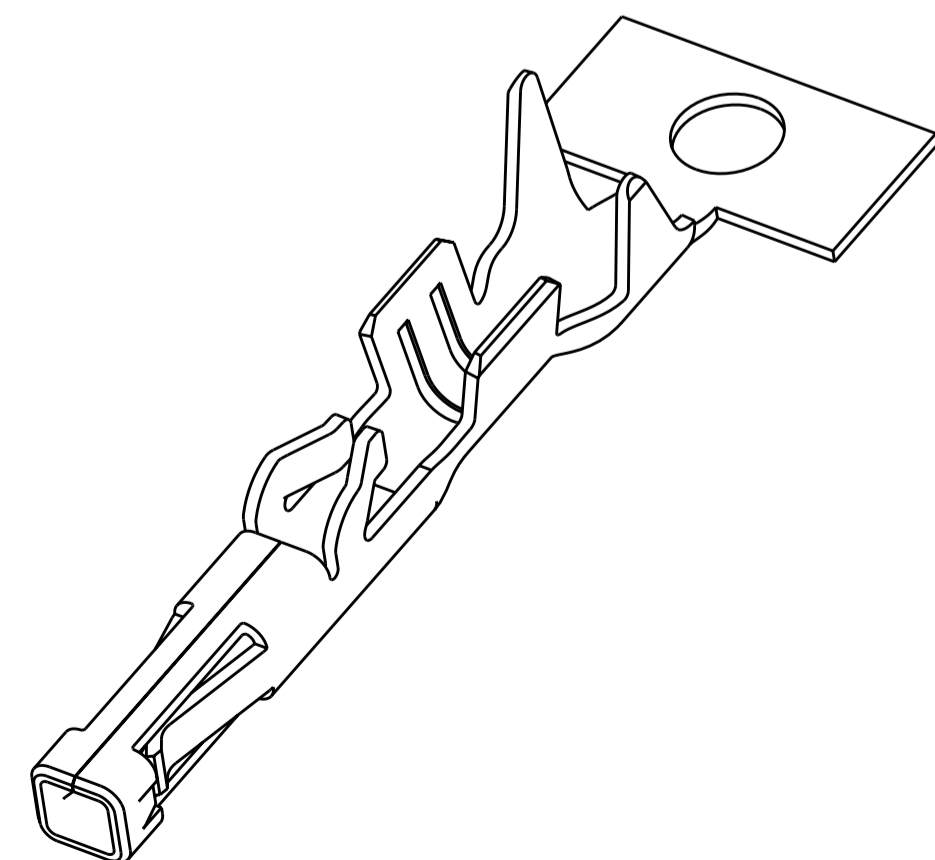
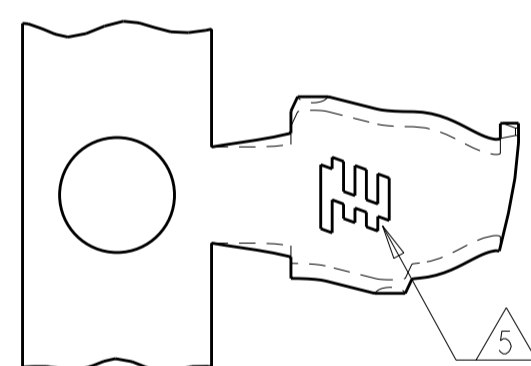
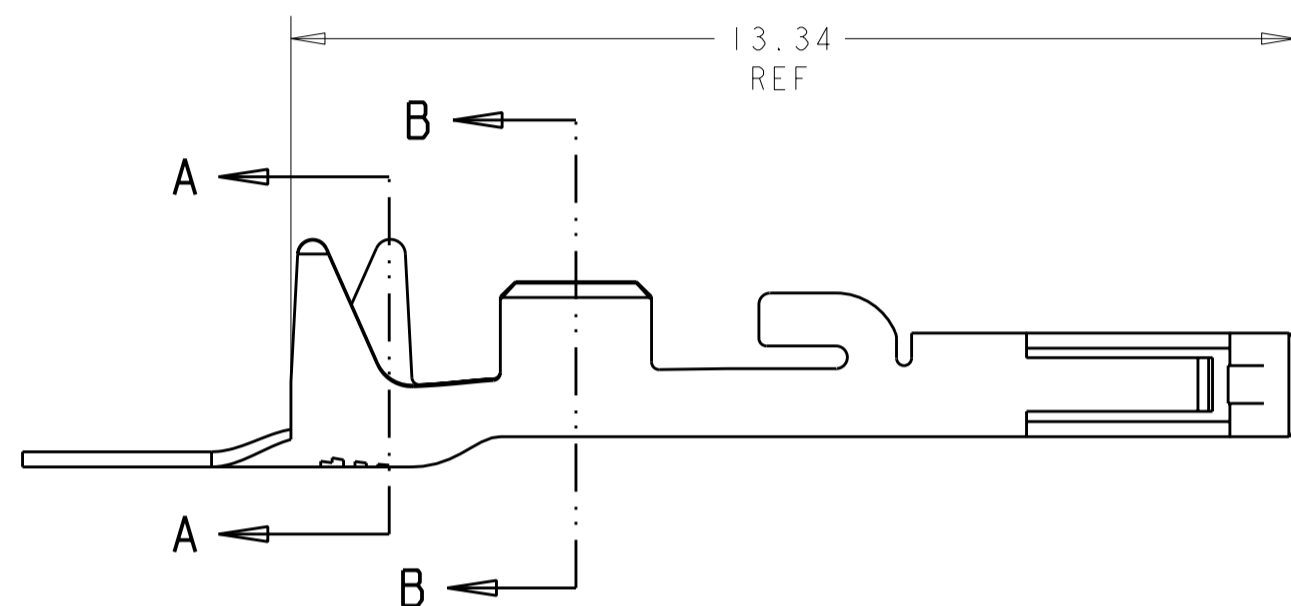
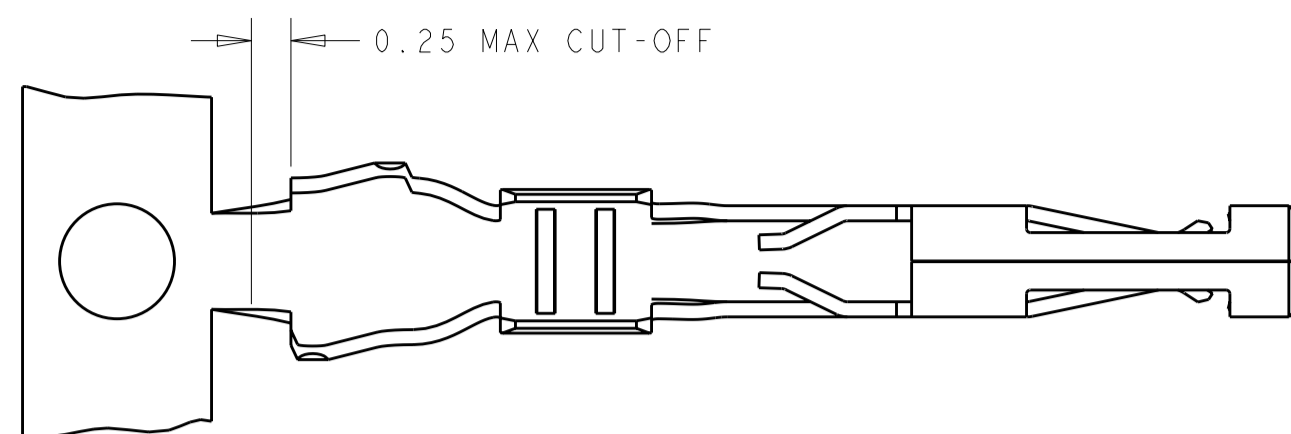


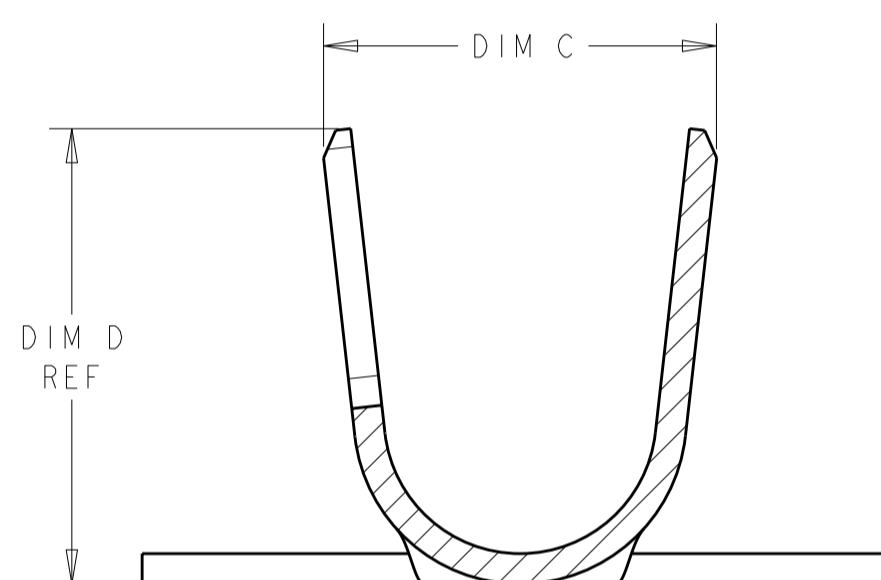
THIS DRAWING IS UNPUBLISHED.
 RELEASED FOR PUBLICATION
 20
 ALL RIGHTS RESERVED.

© COPYRIGHT 20

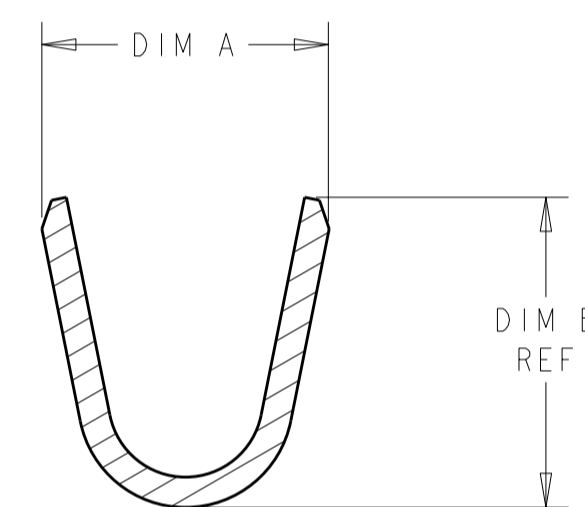
P	LTR	DESCRIPTION	DATE	DWN	APVD	REVISIONS	
						LOC	DIST
A2		REVISED PER ECR-11-014651	20JUL2011	RK	DD	-	-
A3		REVISED PER ECR-11-016987	5SEP2011	RS	DD	-	-



- 1 COPPER ALLOY, 0.20 THK. REF
- 2 NICKEL UNDERPLATE OVER ALL
- 3 0.00254 MIN THK BRIGHT TIN, LUBRICATED, OVER NICKEL UNDERPLATE
- 4 0.000381 THK GOLD STRIPE
- 5 TE CONNECTIVITY LOGO LOCATED APPROXIMATELY AS SHOWN
- 6 0.000762 THK GOLD STRIPE



SECTION **A-A**
SCALE 20:1



SECTION **B-B**
SCALE 20:1

2.40	2.60 2.20	1.55	1.96 1.57	1.30 - 1.60	22-24 AWG	ON REEL	6	1-2106123-6
2.40	2.60 2.20	1.55	1.96 1.57	1.30 - 1.60	22-24 AWG	ON REEL	4	1-2106123-3
2.40	2.60 2.20	1.55	1.96 1.57	1.30 - 1.60	22-24 AWG	LOOSE PIECE	2 3	1-2106123-2
2.40	2.60 2.20	1.55	1.96 1.57	1.30 - 1.60	22-24 AWG	ON REEL	2 3	1-2106123-1
3.01	2.80 2.40	2.05	2.32 1.92	1.70 - 2.10	18-20 AWG	ON REEL	4	2106123-3
3.01	2.80 2.40	2.05	2.32 1.92	1.70 - 2.10	18-20 AWG	LOOSE PIECE	2 3	2106123-2
3.01	2.80 2.40	2.05	2.32 1.92	1.70 - 2.10	18-20 AWG	ON REEL	2 3	2106123-1
DIM D	DIM C	DIM B	DIM A	INSULATION DIA	WIRE RANGE	REMARKS	FINISH	PART NO

DIMENSIONS:		TOLERANCES UNLESS OTHERWISE SPECIFIED:	DWN	STE TE Connectivity			
mm	0 PLC ±	1 PLC ±	R BROWN 04MAR2009	NAME			
	2 PLC ±0.13	3 PLC ±	CHK A. BUCHER 04MAR2009	CONTACT, RECEPTACLE, CRIMP SNAP-IN			
	4 PLC ±	ANGLES ±°	APVD -	SLIM SEAL SSL			
	FINISH		PRODUCT SPEC	SIZE	CAGE CODE	DRAWING NO	RESTRICTED TO
MATERIAL	SEE TABLE		108-2391	A200779		2106123	-
			114-13261	C			
			WEIGHT -	CUSTOMER DRAWING		SCALE 10:1	SHEET 1 OF 1 REV A3